



LED Ceiling Light
SPA-099AL Series





Introduction

This ceiling light is a big size with up & down lighting design. It's adopted high lumen SMD LED light source, larger lighting area and low glare design make a softer and uniform light output. AL6063 aluminum housing provides an excellent thermal management. Size options: 400mm, 600mm, 800mm, 1000mm. It can do CCT adjustable and wattage adjustable, multiple installation ways available which meets more application demands.

Features

- 3:7 Up & down lighting design with low glare.
- High lumen efficiency 110lm/W.
- Interchangeable CCT (3000+4000+5700K/3000+4000K) with slide switch.
- Interchangeable wattage available for all size.
- DALI dimmable available.
- Osram flicker free driver.
- Multiple installation ways: Recessed/Surface mounted/Pendant(With pendant rod suspension, with steel wire suspension, with wire harness suspension.)

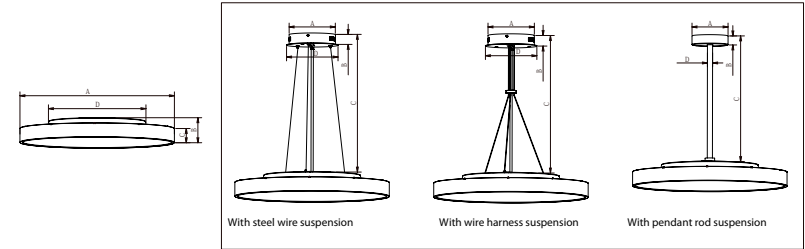
Application Areas

It is designed for general lighting applications in office, supermarket, shop, school, hotel, etc.





Suspension accessories (Purchase as needed)



Technical Data Sheet

Code No.	SPA-99AL-16-40W		
Dimension(mm)	Ø400*86		
Cutout (mm)	Ø220~250		
Watt(W)	40W @max (optional:35W / 37W / 38W / 40W)		
Rated Input Voltage(V)	200-240V		
Input Voltage(V)	198-264V		
LED Module Input	-		
Light Source	SMD		
SDCM	<6 (@3000K 4000K 5000K)		
CCT(K)	1-CCT: 3000K/4000K/5000K/5700K 3-CCT: 3000K + 4000K + 5700K		
CCT Selection DIP Switch	YES		
Luminous Flux (lm) ±5%	Non-DIM	1-CCT	@35W 3300-3900
			@40W 3600-4200
	DIM	@40W 3800-4300	
Luminous Flux (lm) ±5%	Non-DIM	3-CCT	@35W 3300-3900
			@40W 3600-4200
	DIM	@40W 3800-4300	
CRI	≥80		
Beam Angle (°)	120°		
UGR	-		
LED Driver	Built-in		
Dimming Option	DALI		
Sensor	NO		
Emergency Kits	NO		
Electrical Class	Class I		
Ingress Protection (IP Rating)	IP40		
Impact Resistance (IK Rating)	-		
Product Finishing(Base)	White RAL 9016/Black RAL 9005		
Materials of Optics	PS		
Materials of Housing	Aluminum		
Lifetime (hr)	50,000h		
Glow wire test (°C)	650 °C		
Operating Temp. (°C)	-20 °C ~45 °C		
Storage Temp. (°C)	-20 °C ~65 °C		
Installation	Surface mount / Pendant / Recessed		

Measurement

Code	Dimension(mm)				Size(mm)	Product Weight (Kg)		Package weight (Kg)		Carton Size(cm)	Qty/CTN	20GP (pcs)	40HQ (pcs)
	A	B	C	D		N.W/PC	G.W/PC	N.W/CTN	G.W/CTN				
SPA-99AL-16-40W	400	86	55	219	Ø400*86	3.2	3.8	19.2	25	64.5*46.5*47.5	6PCS	1032	2208
steel wire suspension	180	41	800	200	Ø200*41	0.86	0.9	5.16	6.4	26.5*23*23	4PCS	7488	18700
wire harness suspension	180	41	800	200	Ø200*41	0.86	0.9	5.16	6.4	26.5*23*23	4PCS	7488	18700
pendant rod suspension	140	35	500	10	Ø140*35	0.78	0.9	4.68	6.4	55.5*41.5*44.5	18PCS	4860	11664

Driver Datasheet (Non-dimmable)

Total load wattage		40W
Output	Output Voltage range	DC30-42V
	Rated output current	900mA @ max(optional:800mA / 850mA / 875mA / 900mA)
	Line Regulation	±7.5%
	Setup, Rise Time	-
	Flickering Index	<3% NO Risk
Input	Input Voltage	198-264V
	Rated Input Voltage(V)	200-240V
	Frequency	50/60Hz
	Input Current	0.184A
	Rated Input Current	0.184A
	Power Factor	0.95
	THD	<10% @230V
	Efficiency	90%
Protection	No load wattage	<0.5W
	Short circuit protection	Pass
	Over voltage protection	Pass
Safety & EMC	Over temperature protection	Pass
	Withstand voltage	I/P-O/P:3.75KV _{ac} , <5mA 60S;
	Isolation Resistance	I/P-O/P: 500VDC, ≥100M Ω
	Inrush Current	IEC/EN61000-4-5 (P≥25w L-N:1KV, L/N-PE:2KV)
	EMC Emission	EN55015, EN61000-3-2
EMC Immunity	EN61000-4-2,3,4,5,6,8,11; EN61547	

Driver Datasheet (DALI Dimmable)

	Total load wattage	40W
Output	Output Voltage range	DC15-54V
	Rated output current	900mA
	Line Regulation	±3%
	Setup, Rise Time	-
	Flickering Index	<2% NO Risk
Input	Input Voltage	198-264V
	Rated Input Voltage(V)	200-240V
	Frequency	50/60Hz
	Input Current	0.28A
	Rated Input Current	0.28A
	Power Factor	>0.95
	THD	<10% @200-240V
	Efficiency	91%
	No load wattage	not permitted
Protection	Short circuit protection	Pass
	Over voltage protection	Pass
	Over temperature protection	Pass
Safety & EMC	Withstand voltage	I/P-O/P:3.75KVac,<5mA 60S;/P-FG:1.6KVac,<5mA 60S;O/P-FG:0.5KVac,<5mA 60S
	Isolation Resistance	I/P-O/P: 500VDC, ≥100M.Ω
	Inrush Current	IEC/EN61000-4-5 (P≥25w L-N:1KV, L/N-PE:2KV)
	EMC Emission	EN55015, EN61000-3-2
	EMC Immunity	EN61000-4-2,3,4,5,6,8,11; EN61547

Installation Procedure

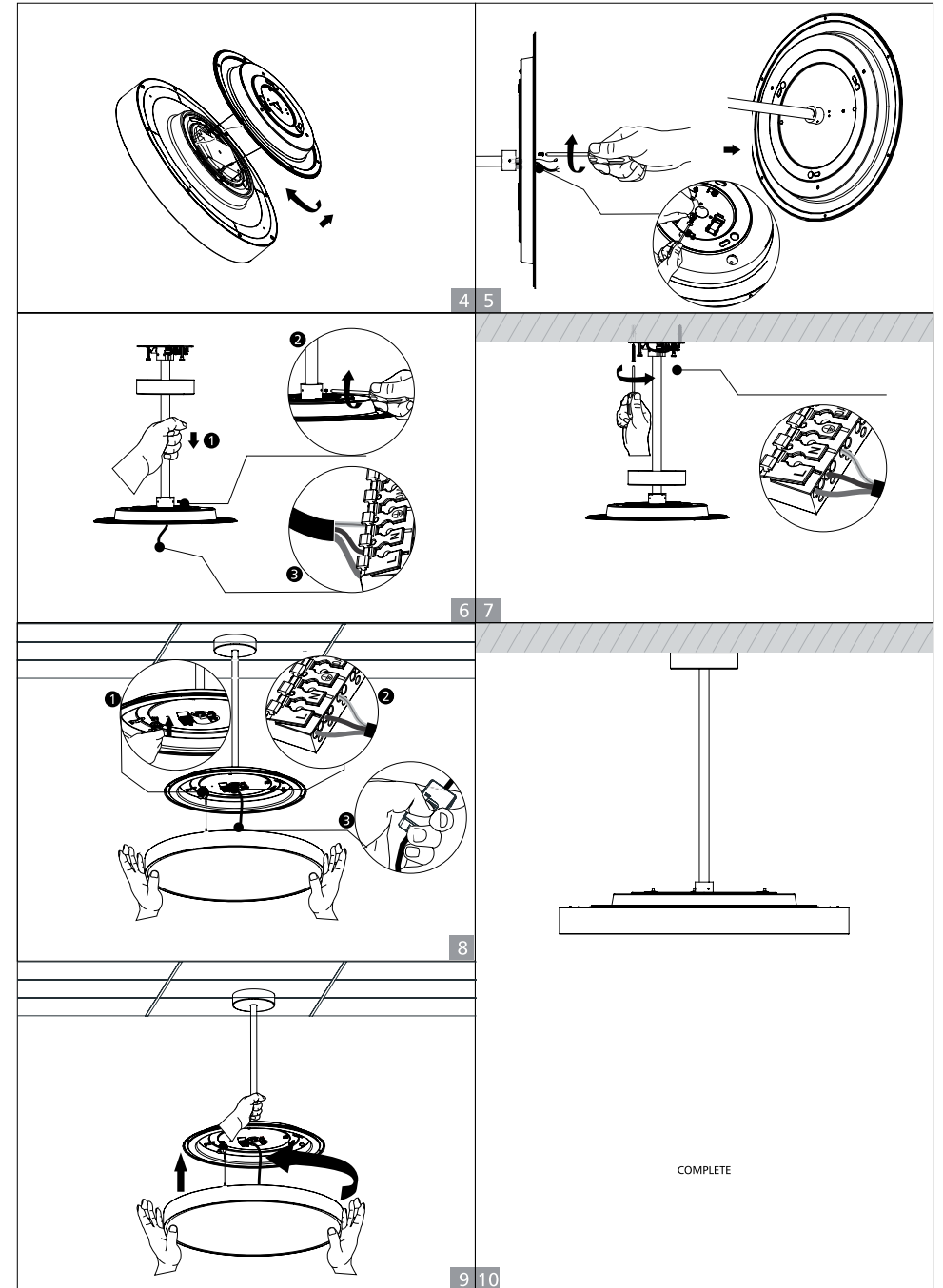
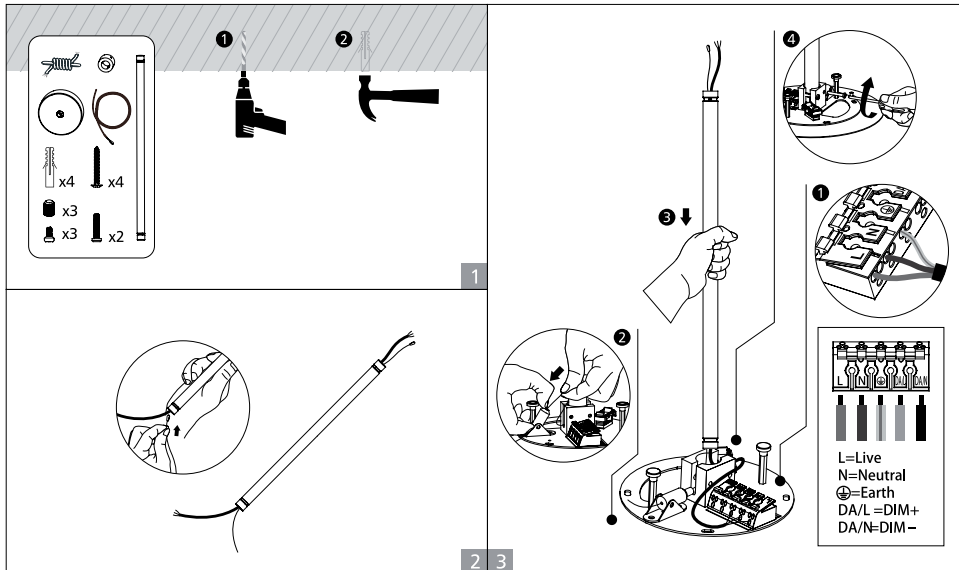
WARNING

1. Switch off before installation / maintenance.
2. Switch on only after complete installation and examination of the circuit.
3. Professional electrician for installation and maintenance only.

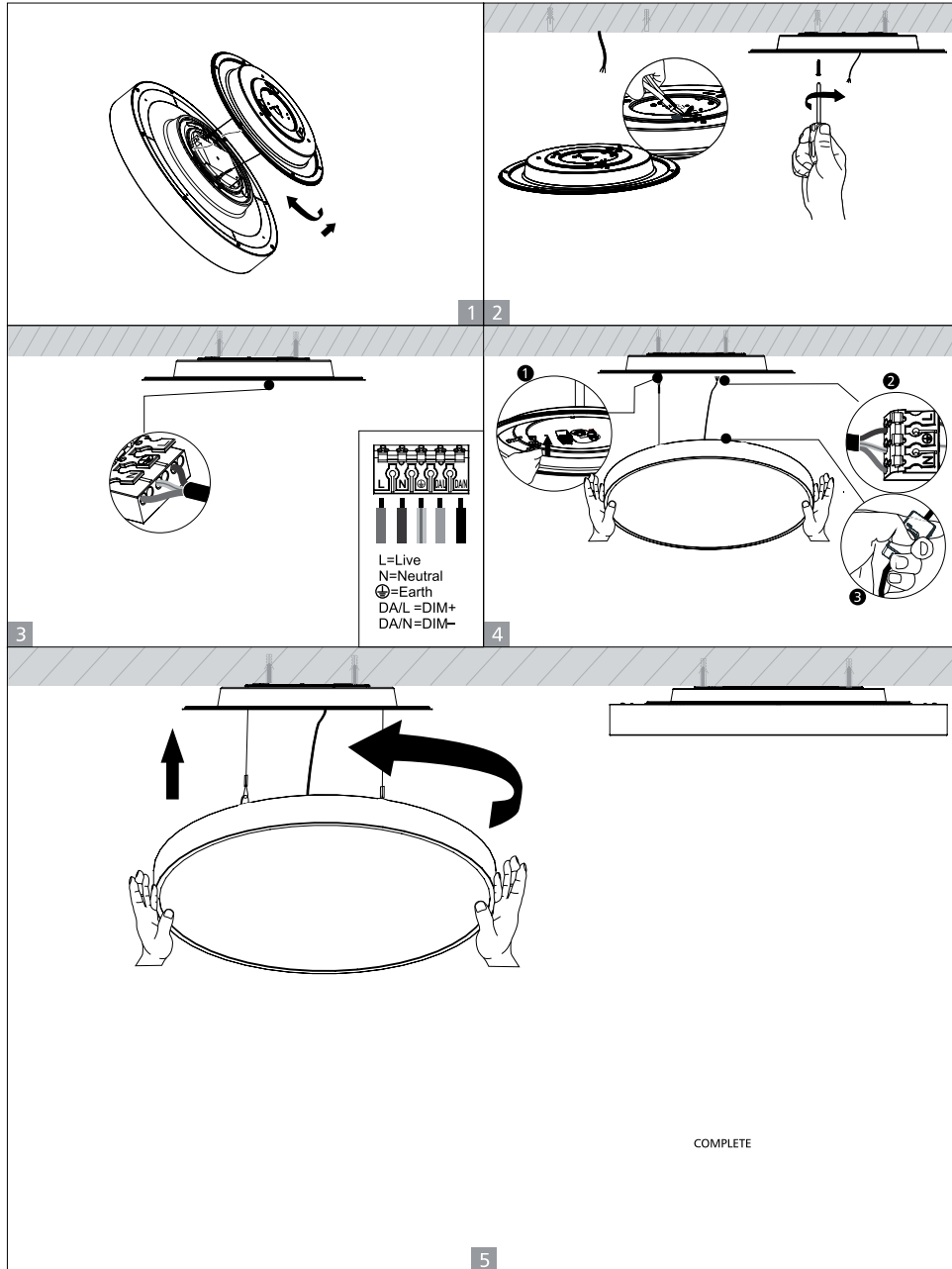


Turn Off power supply before starting any installation. Read instructions & check you have all the tools & accessories to complete the installation correctly.

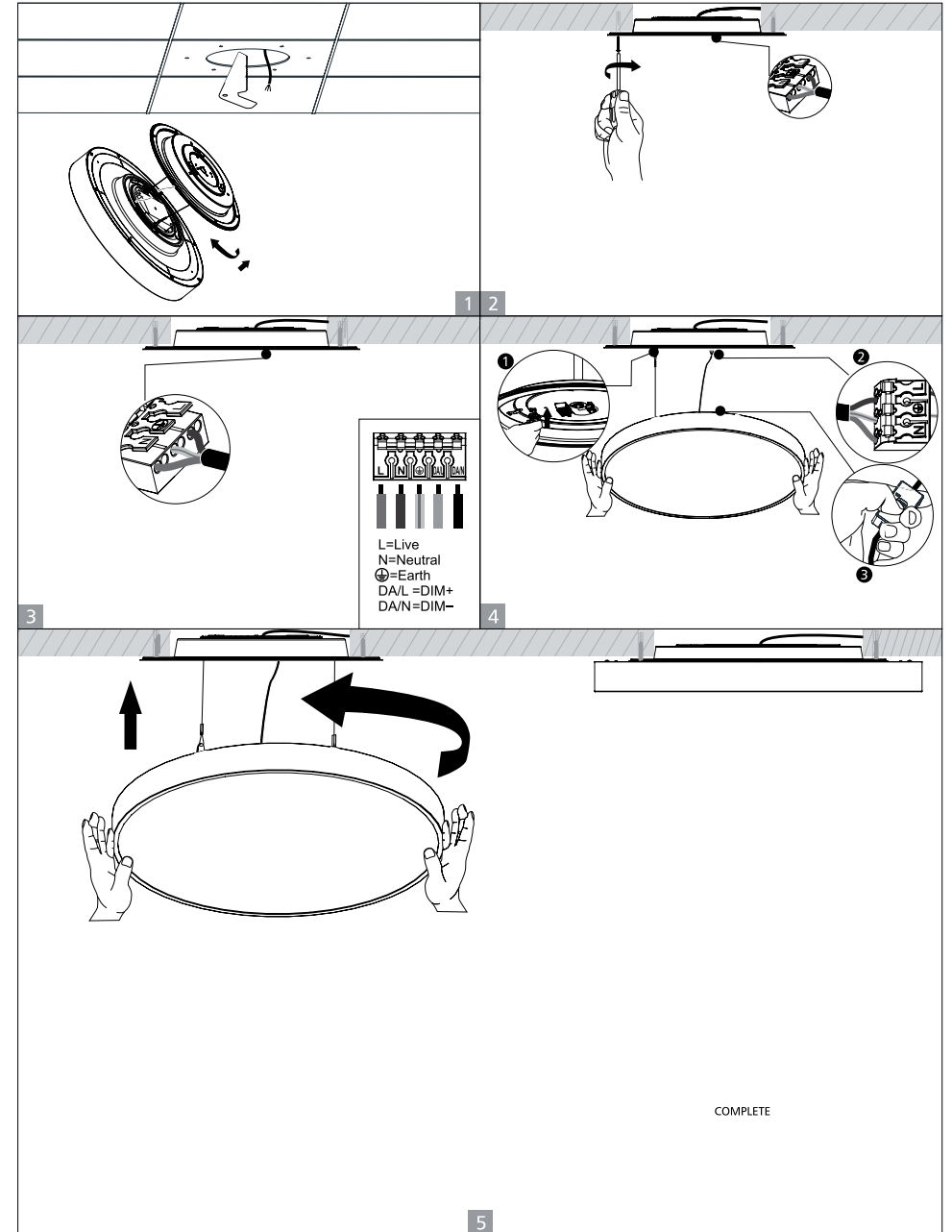
With pendant rod suspension installation



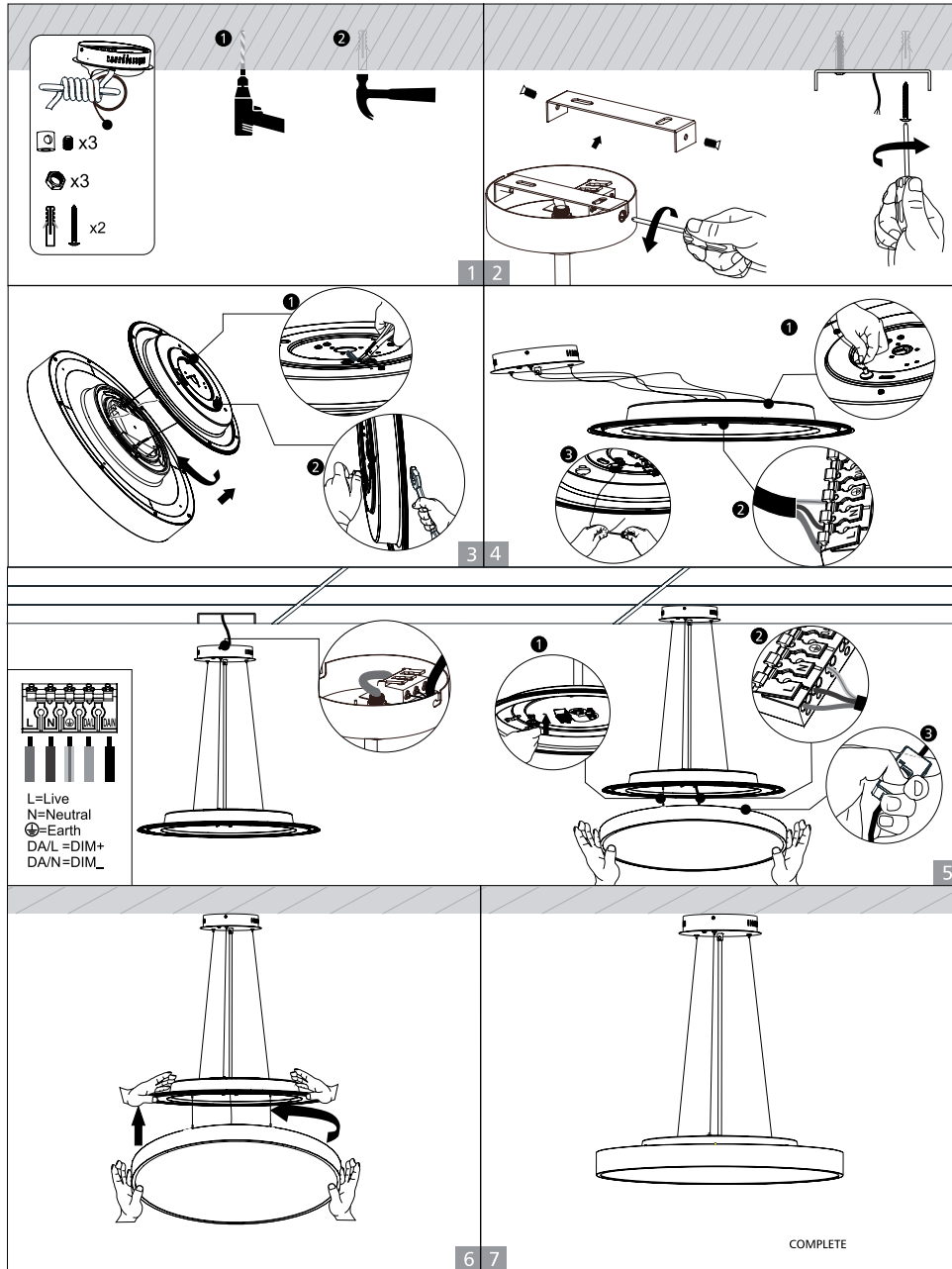
■ Surface Mount installation



■ Recessed installation



With steel wire suspension installation



With wire harness suspension installation

